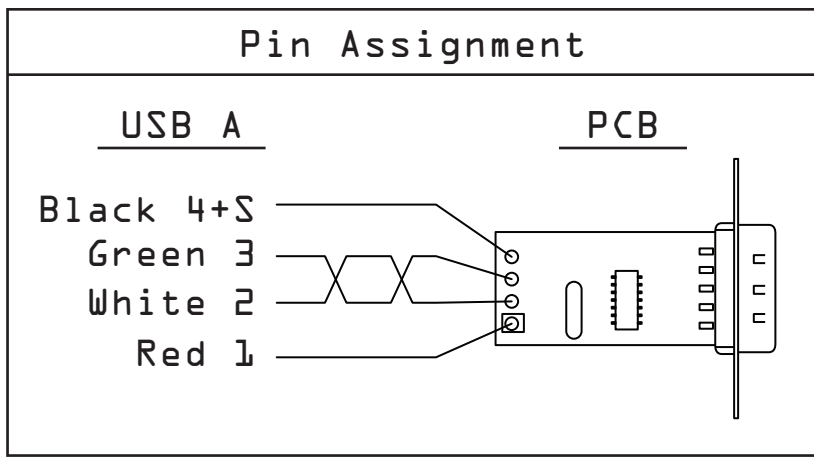
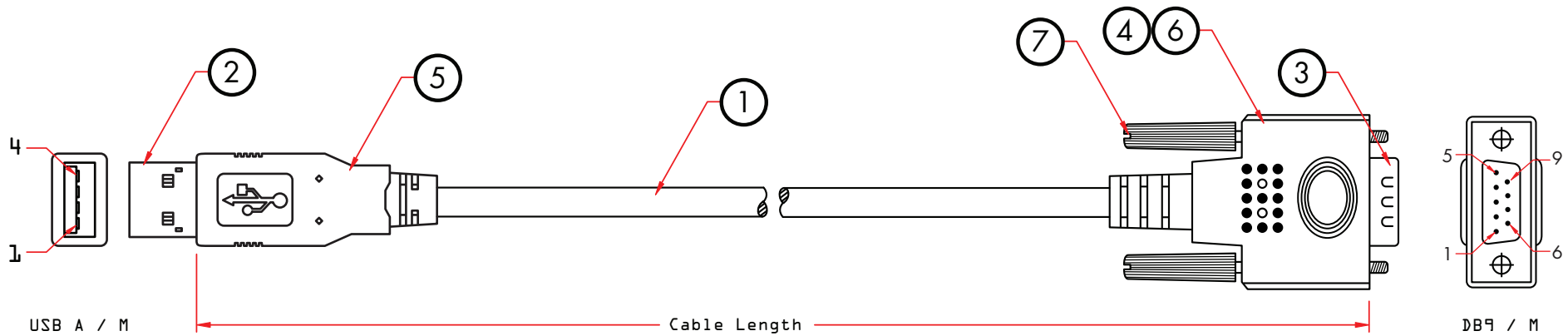


| REV. | DESCRIPTION | DATE    |
|------|-------------|---------|
| A    |             |         |
| B    |             | 02-2008 |



| PART NO.   | CABLE LENGTH |
|------------|--------------|
| 10U1-06101 | 1 ft         |
| 10U1-06103 | 3 ft         |

|     |  |
|-----|--|
| 7   | 4-40 Molded Thumb Screw  |
| 6   | Molded PVC Hood, Fully Shielded w/AL-Foil, 65P Transparent Black (B&Z) PVC     |
| 5   | USB A Male, 45P Transparent Black (B&Z) PVC                                    |
| 4   | PN: PL2303   |
| 3   | DB9 Male w/Gold Plating Contacts   |
| 2   | RJ45 Plug, w/50u Gold Plating Contacts   |
| 1   | UL2725, 1 Pair (28AWG/7*0.12) + 2C (26AWG/7*0.20) + AL+Braid, OD: 4.7+/-0.15mm |
| NO. | SPECIFICATIONS   |
|     | BOM LIST   |

|             |                                       |       |      |          |     |
|-------------|---------------------------------------|-------|------|----------|-----|
| ITEM NUMBER | 10U1-061xx                            |       |      | DRAWER   | MPD |
| TITLE       | USB A Male to DB9 Male, Adaptor Cable |       |      | CHECKED  | MAC |
| MATERIAL    |                                       | SCALE |      | APPROVED | MAC |
| REV.        | A                                     | UNIT  | INCH |          |     |
| DRAWING NO: |                                       |       |      |          |     |

