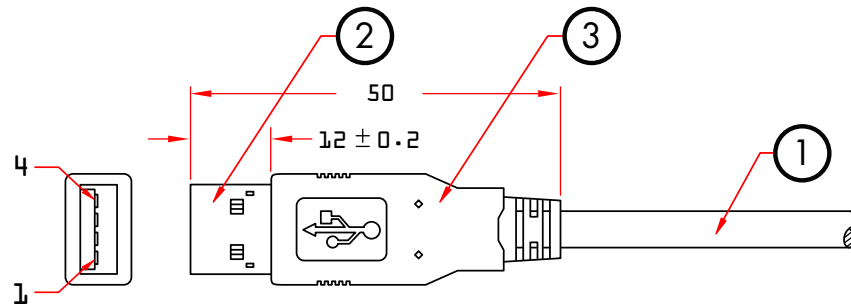
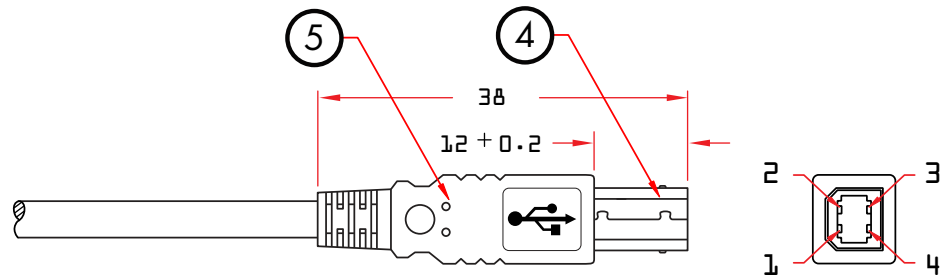


REV.	DESCRIPTION	DATE
A		
B		10-2006



USB A / M



USB B / M

Pin Assignment			
USB A Male		USB B Male	
1	————	1	Red
2	○——○	2	White
3	○——○	3	Green
4	————	4	Black
6	————	6	Braid

PART NO.	CABLE LENGTH
10U2-02203	3 ft
10U2-02206	6 ft
10U2-02210	10 ft
10U2-02215	15 ft

5	USB B Beige Molded PVC
4	USB B Male, Contact: Gold Flash. Shell: Nickel Plated
3	USB A Beige Molded PVC
2	USB A Male, Contact: Gold Flash. Shell: Nickel Plated
1	USB 2.0 Cable UL2725 28AWG*AWG 1P (Green & White) + 24AWG*2C (Black & Red) + Drain + AL-Mylar + Braid Shield, OD: 4.5mm, Beige Outer PVC Jacket
NO.	SPECIFICATIONS
	BOM LIST

ITEM NUMBER	10U2-022xx		DRAWER	MPD
TITLE	USB A Male / USB B Male USB 2.0 Cable		CHECKED	MAC
MATERIAL		SCALE		
REV.	A	UNIT	INCH	
DRAWING NO:				
		