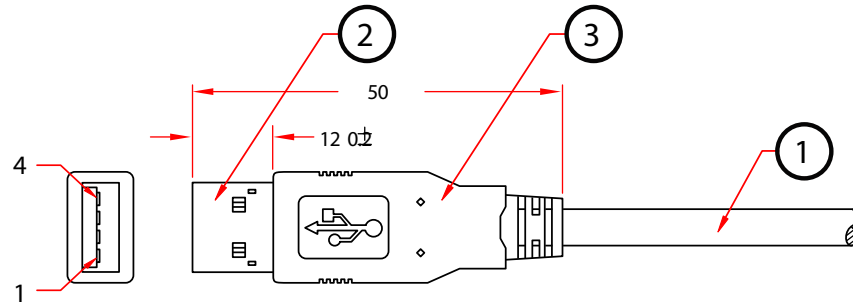
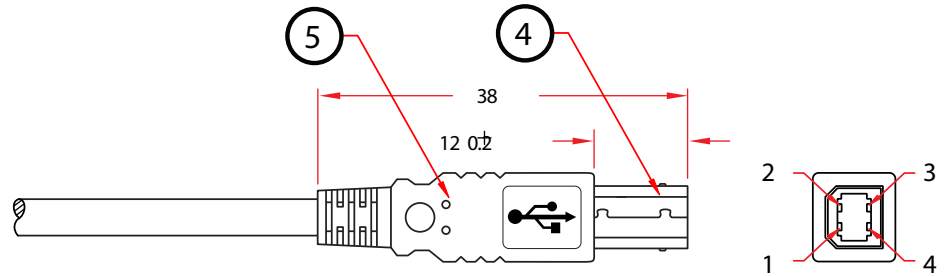


REV.	DESCRIPTION	DATE
A		
B		10-2006



USB A / M



USB B / M

Pin Assignment			
USB A Male		USB B Male	
1	—————	1	Red
2	○————○	2	White
3	○————○	3	Green
4	—————	4	Black
G	—————	G	Braid

PART NO.	CABLE LENGTH
10U2-02203BK	3 ft
10U2-02206BK	6 ft
10U2-02210BK	10 ft
10U2-02215BK	15 ft

NO.	SPECIFICATIONS	ITEM NUMBER	10U2-022xxBK		DRAWER	MPD
5	USB B Black Molded PVC	TITLE	USB A Male / USB B Male USB 2.0 Cable, Black		CHECKED	MAC
4	USB B Male, Contact: Gold Flash. Shell: Nickel Plated	MATERIAL	SCALE		APPROVED	MAC
3	USB A Black Molded PVC	REV.	A	UNIT	INCH	
2	USB A Male, Contact: Gold Flash. Shell: Nickel Plated	DRAWING NO:				
1	USB 2.0 Cable UL2725 28AWG*AWG 1P (Green & White) + 24AWG*2C (Black & Red) + Drain + AL-Mylar + Braid Shield 80SC, OD: 4.5mm, Black Outer PVC Jacket	 888-212-8295.com				
BOM LIST						