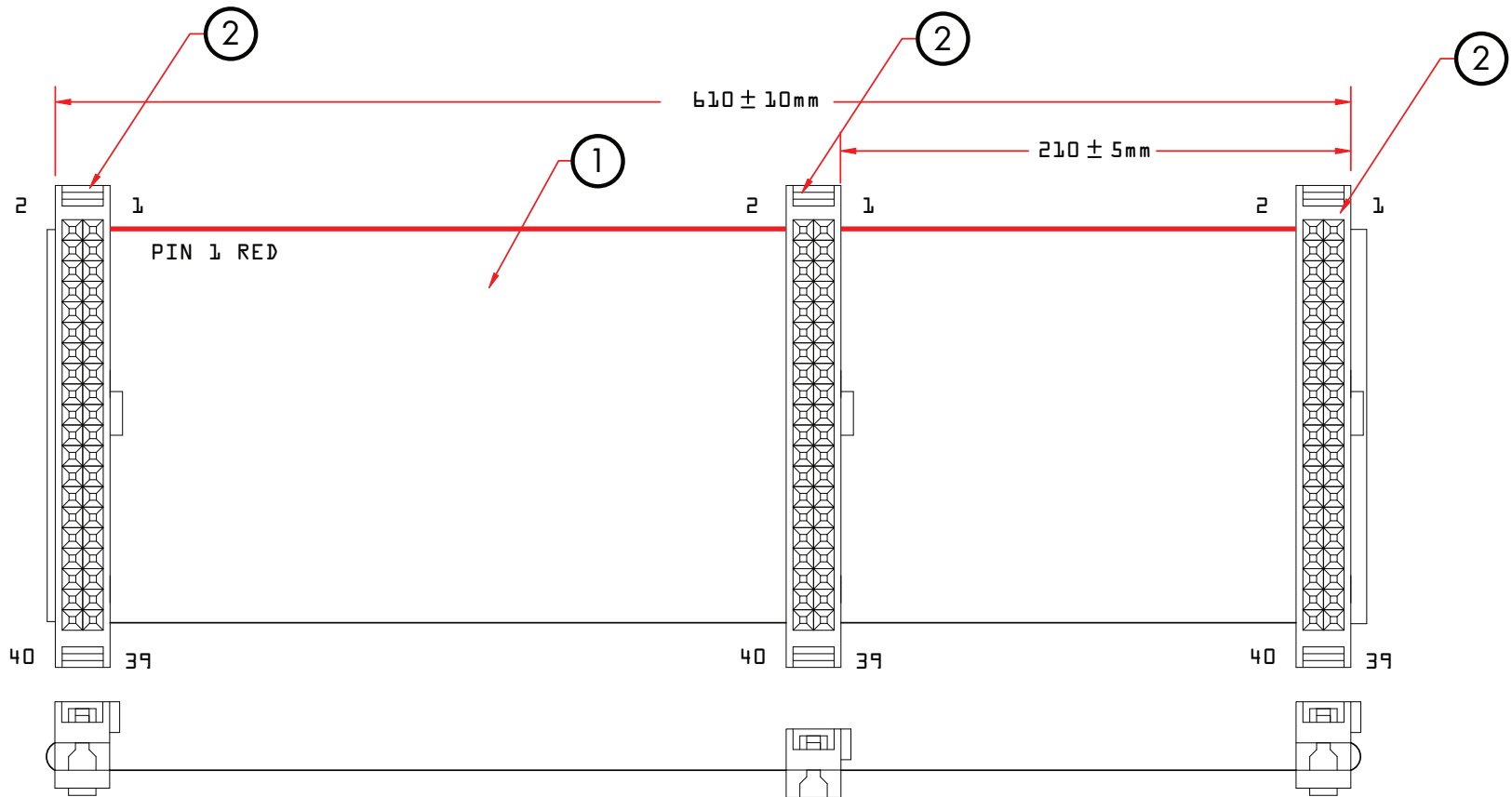


REV.	DESCRIPTION	DATE
A		
B		09-2006



ITEM NUMBER	2102-324		DRAWER	MPD
TITLE	IDC 40 x 3, 24 inch, Dual Device Cable		CHECKED	MAC
MATERIAL	SCALE		APPROVED	MAC
REV.	A	UNIT	INCH	
DRAWING NO:			 888-212-8295.com	

2	IDC 40P Socket Color: Black
1	Flat Cable: UL2651, 28AWG, 40C Gray
N0.	SPECIFICATIONS
	BOM LIST