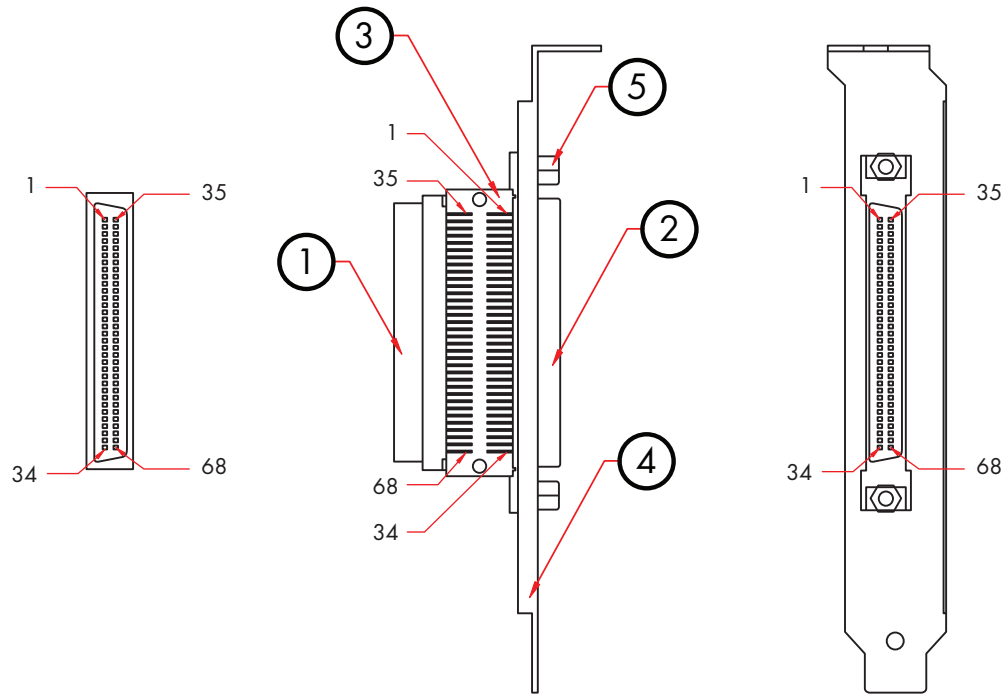


REV.	DESCRIPTION	DATE
A		
B		07-2007



Pin Assignment	
HPDB68 Female	HPDB68 Female
1	1
2	2
3	3
} } }	
66	66
67	67
68	68

5	Hex Nut 2/56
4	"L" Shape Metal Bracket
3	PCB
2	HPDB68 Female PCB Connector
1	HPDB68 Female PCB Connector
NO.	SPECIFICATIONS
	BOM LIST

ITEM NUMBER	31P2-35400		DRAWER	MPD
TITLE	HPDB68 Female / HPDB68 Female, Internal / External with Bracket		CHECKED	MAC
MATERIAL	SCALE		APPROVED	MAC
REV.	A	UNIT	INCH	
DRAWING NO:			 888-212-8295.com	